

**No. 375**

Capacity: 1/2" – 1" (37°)

**No. 455**

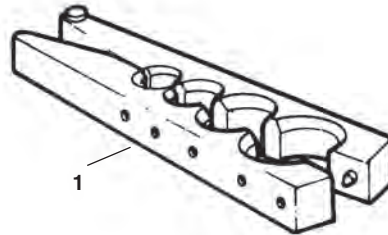
Capacity: 1/2" – 1" (45°)

**No. 454-W**

Capacity: 3/8" – 1" (45°)

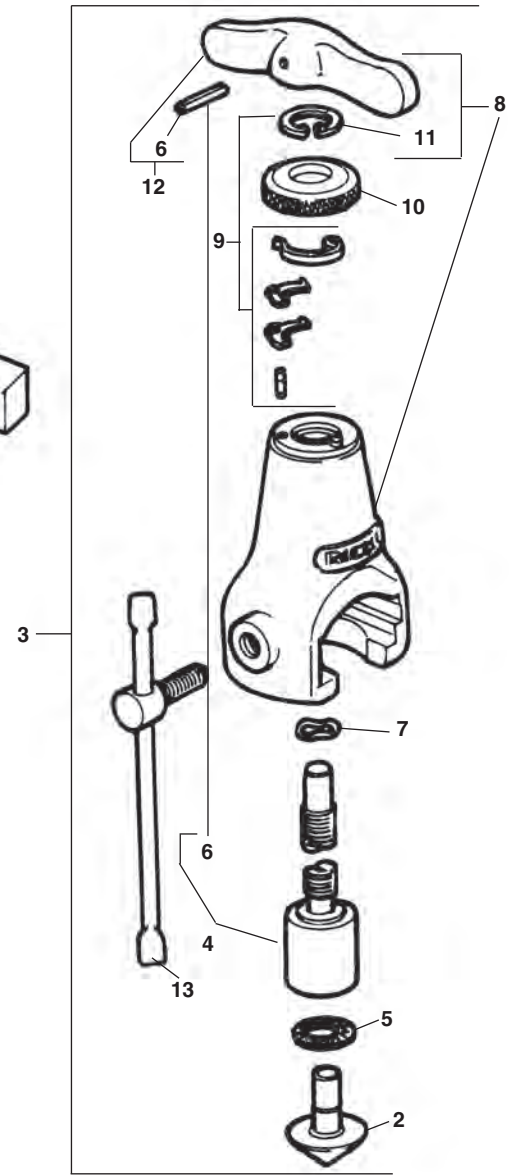
**No. 454-J**

Capacity: 8,10,13,20 SU (45°)

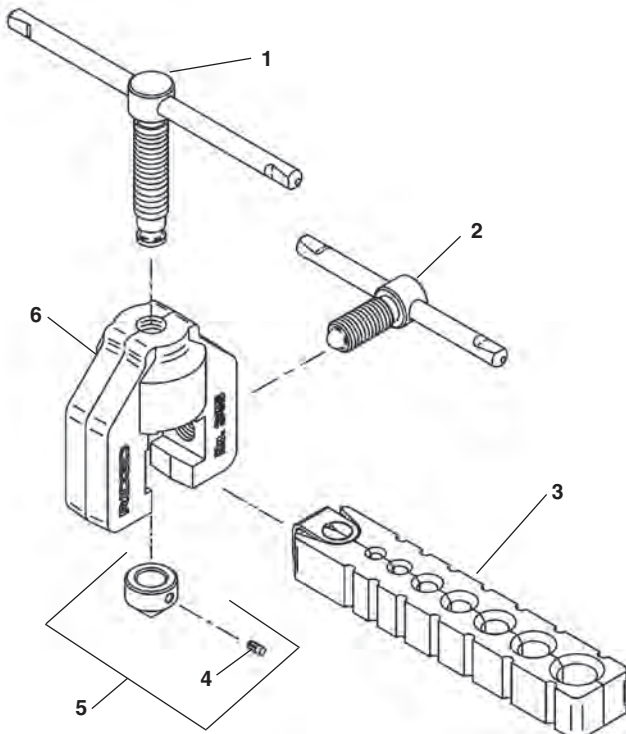


NOTE: Order parts by Catalog Number only.  
DO NOT order by Reference Number.

Ref. No.	Catalog No.	Description
1	41395	No. 454-W Flaring Bar Assembly
	93122	No. 454-J Flaring Bar Assembly
	41400	No. 375 Flaring Bar Assembly
	41405	No. 455 Flaring Bar Assembly
2	41540	45 Degree Cone
	41555	37 Degree Cone
3	41360	Yoke & Shaft Assembly
4	41430	Shaft Assembly
5	41535	Thrust Bearing
6	41545	Pin
7	35520	Spring Washer
8	41435	Yoke Assembly w/Needle Bearing & Sleeve
9	41445	Latch and Spring Assembly (Includes 11)
10	41415	Cap
11	41410	Retaining Ring
12	41440	Handle with Pin
13	41515	Clamp Screw Assembly
Following item not shown:		
*	92250	Threader Sleeve



**345/345M**



Ref. No.	Catalog No.	Description
—	23332	345 Flare Tool
1	96587	Feed Screw Assembly
2	96607	Clamp Screw Assembly
3	96602	Flare Bar Assembly
4	96597	Pin
5	96592	Cone w/Pin
6	96612	Yoke